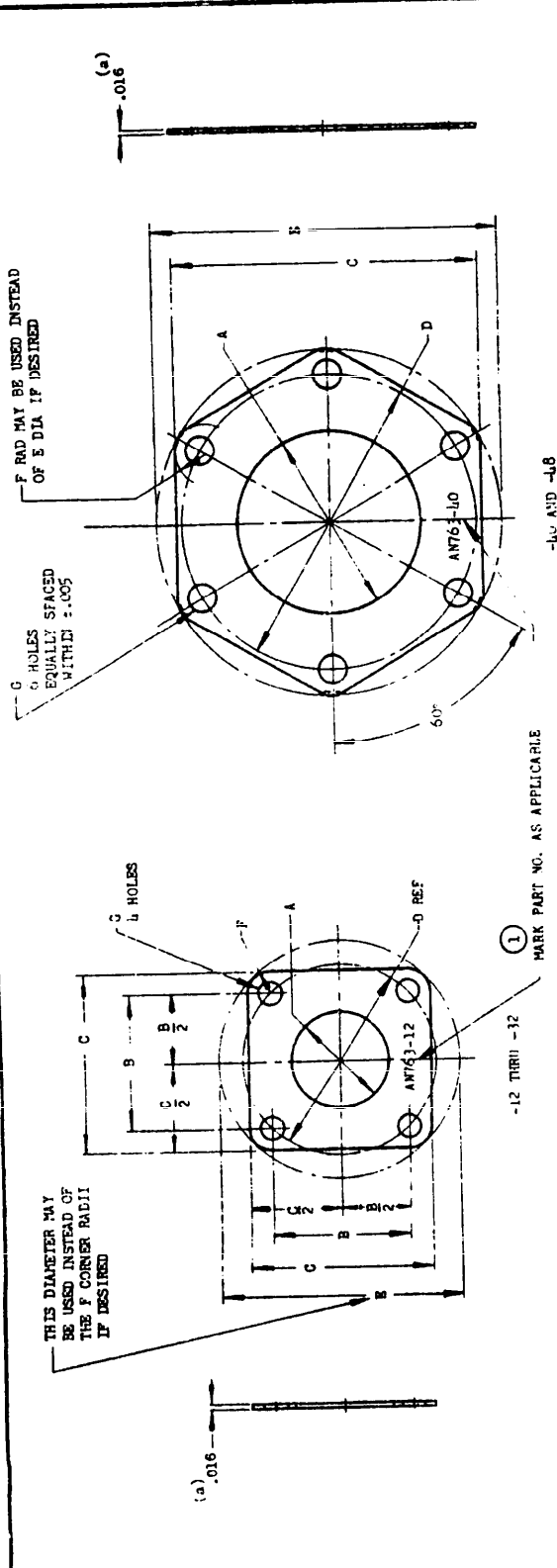


NOTICE: When Government drawings, specifications, or other data are used for any purpose other than in connection with a definitely related Government procurement operation, the United States Government thereby incurs no responsibility, nor any obligation whatsoever, and the fact that the Government may have furnished, furnished, or in any way supplied the said drawings, specifications, or other data is not to be regarded by licensee or contractor as in any manner constituting an endorsement, or carrying any risk or perturbation in manufacturing, use, or sale of any product or invention that may in any way be related thereto.

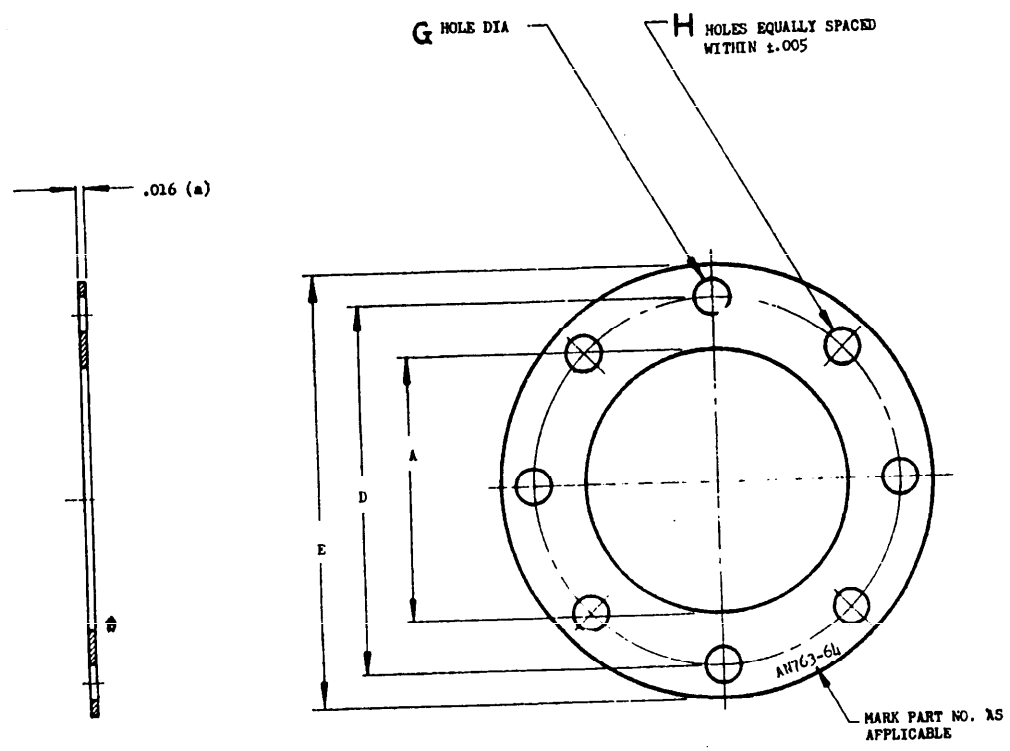
NOTE: This drawing was approved by joint action of the Air Force and Navy Departments as the Air Force-Navy combined standard for this product. This drawing complies with all minimum standard drawings for the same product and shall become effective for the procurement of Governmental supplies, or for use in new designs, and later than a month after the latest date of approval herein.



AN PART NO.	NOMINAL TUBE AND HOSE SIZE REF.	A DIA ±.005	B DIA ±.005	C DIA	D DIA	E DIA	F RAD	G ±.010 - .005	WEIGHT LB. PER 100 ESTIMATED
AN763-12	.750	.688	1.156	1.594	1.635	2.094	.219	.205	.32
AN763-16	1.000	.928	1.312	1.750	1.855	2.312	.215	.205	.35
AN763-20	1.250	1.156	1.556	2.188	2.302	2.875	.266	.266	.56
AN763-24	1.500	1.406	1.812	2.375	2.562	3.094	.281	.266	.61
AN763-32	2.000	1.875	2.375	3.000	3.359	3.953	.312	.328	.93
AN763-40	2.500	2.375	3.000	4.000	4.612	4.500	.375	.328	1.34
AN763-48	3.000	2.875	3.000	4.500	4.312	5.000	.425	.328	1.66

(a) THICKNESS TOLERANCE AS SPECIFIED IN MATERIAL SPECIFICATION.
 MATERIAL: GASKET MATERIAL SPECIFICATION MIL-G-7021, CLASS 1.
 DIMENSIONS IN INCHES. UNLESS OTHERWISE SPECIFIED, TOLERANCES: DECIMALS ±.010, ANGLES ±.4°.
 SHEET 2 ADDED.

NOTICE: When Government drawings, specifications, or other data are used for any purpose other than in connection with a definitely related Government procurement operation, the United States Government assumes no responsibility, nor any obligation whatsoever; and the fact that the Government may have furnished, furnished, or in any way supplied the said drawings, specifications, or other data is not to be regarded by implication or otherwise as in any manner endorsing (in whole or in part) any other person or corporation, or approving any rights or privileges in connection therewith that may in any way be related thereto.



NOTE: This drawing was approved by joint action of the Air Force and Navy Departments as the Air Force-Navy standard for this product. This drawing conforms to standard drawings for this size as published and shall become effective for the procurement of commercial supplies, or for use in your design, on 1st April 1952. Check & update after the latest date of approval shown.

AN PART NO.	NOMINAL TUBE AND HOSE SIZE REF	A DIA	D DIA	E DIA	0 +.010 -.005	II NO. HOLES
AN763-56	3.500	3.375	4.875	5.562	.328	8
AN763-64	4.000	3.875	5.438	6.125		10
AN763-80	5.000	4.875	6.438	7.125		12
AN763-96	6.000	5.875	7.438	8.125		14
AN763-112	7.000	6.875	8.500	9.188		

SEE SHEET 1 FOR NOTES.

APPROVED 6 Aug 52 REVISED

PROCUREMENT SPECIFICATION NONE	AIR FORCE-NAVY AERONAUTICAL STANDARD	AN763 SHEET 2 OF 2
	GASKET - SWIVEL FITTING, FLANGED	