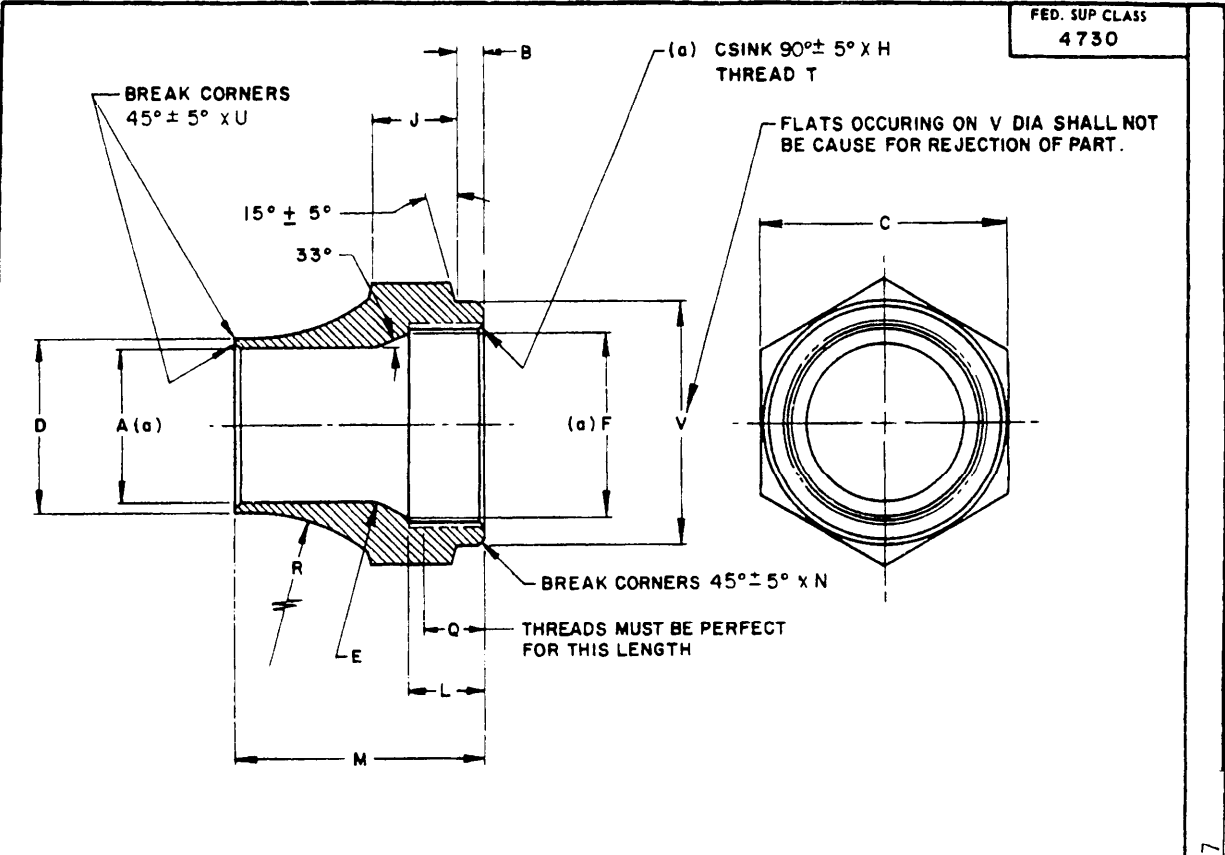


USER ACTIVITIES

REVIEWER ACTIVITIES NAVY-AS
 ARMY-AV
 DLA-CS

DISTRIBUTION STATEMENT A Approved for public release; distribution is unlimited.
 This military standard is approved for use by all Departments and Agencies of the Department of Defense.
 Selection for all new engineering and design applications and for repetitive use shall be made from this document.



FED. SUP CLASS
 4730

(a) DIAMETER A, DIAMETER F, AND THREAD T SHALL BE CONCENTRIC WITHIN .005 TOTAL INDICATOR READING.

MATERIAL: STEEL, ALUMINUM ALLOY; BARS OR SHAPES.
 CORROSION RESISTANT STEEL (CRES), TITANIUM ALLOY; BARS, OR SHAPES.
 SEE PROCUREMENT SPECIFICATION.

FINISH: SEE PROCUREMENT SPECIFICATION.

NO CODE LETTER IN PART NUMBER FOR STEEL.
 ADD D AFTER DASH NUMBER FOR ALUMINUM ALLOY (EXCEPT 7075-T73).
 ADD J AFTER DASH NUMBER FOR CRES, TYPE 304.
 ADD K AFTER DASH NUMBER FOR CRES, TYPE 316.
 ADD T AFTER DASH NUMBER FOR TITANIUM ALLOY.
 ADD W AFTER DASH NUMBER FOR 7075-T73 ALUMINUM ALLOY.
 TITANIUM IS NOT RECOMMENDED FOR USE IN OXYGEN SYSTEMS.

EXAMPLE OF PART NUMBERS:
 AN817-W - NUT, 1/4 TUBING, STEEL.
 AN817-4D - NUT, 1/4 TUBING, ALUMINUM ALLOY (EXCEPT 7075-T73).
 AN817-4J - NUT, 1/4 TUBING, CRES, TYPE 304.
 AN817-4K - NUT, 1/4 TUBING, CRES, TYPE 316.
 AN817-4T - NUT, 1/4 TUBING, TITANIUM ALLOY.
 AN817-4W - NUT, 1/4 TUBING, 7075-T73 ALUMINUM ALLOY.

BREAK ALL SHARP EDGES AND REMOVE ALL HANGING BURRS AND SLIVERS WHICH MIGHT BECOME DISLODGED UNDER USAGE.

DIMENSIONS IN INCHES. UNLESS OTHERWISE SPECIFIED, TOLERANCES: FRACTIONS ±1/64, DECIMALS ±.005, ANGLES ±1/2°

FOR DESIGN FEATURE PURPOSES, THIS STANDARD TAKES PRECEDENCE OVER PROCUREMENT DOCUMENTS REFERENCED HEREIN.

REFERENCED DOCUMENTS SHALL BE OF THE ISSUE IN EFFECT ON DATE OF INVITATIONS FOR BID.

12 See sheet 1 & 2 for changes

APPROVED 13 DEC 40 REVISED 11 22 MAR 1984 12 31 MAR 87

P. A. AIR FORCE-82 Other Cust AIR FORCE-99	INTERNATIONAL INTEREST	AIR FORCE-NAVY AERONAUTICAL STANDARD		AN817
		NUT, TUBE COUPLING, LONG		
PROCUREMENT SPECIFICATION MIL-F-5509	SUPERSEDES:	SHEET 1 OF 2		

FED. SUP CLASS
 4730

USER ACTIVITIES:

REVIEWER ACTIVITIES: NAVY-AS
 ARMY-AV
 DLA-CS

This military standard is approved for use by all Departments and Agencies of the Department of Defense. Selection for all new engineering and design applications and for repetitive use shall be made from this document.

DASH NO.	TUBING OD	THREAD T (MIL-S-8879)	A +.003 -.000 DIA	B	C	D +.005 -.000 DIA	E RAD	F DIA	
2	1/8	5/16-24UNJF-3B	.130	3/32	.375	.183	1/32	.2674	+ .0065 - .0000
3	3/16	3/8 -24UNJF-3B	.193		.438	.246		.3299	
4	1/4	7/16-20UNJF-3B	.255		.563	.306		.3834	+ .0072 - .0000
5	5/16	1/2 -20UNJF-3B	.318		.625	.371		.4459	
6	3/8	9/16-18UNJF-3B	.380		.688	.433	3/64	.5024	+ .0076 - .0000
8	1/2	3/4 -16UNJF-3B	.505	1/8	.875	.558	1/16	.6823	+ .0080 - .0000
10	5/8	7/8 -14UNJF-3B	.631	3/16	1.000	.694		.7977	+ .0085 - .0000
12	3/4	1-1/16-12UNJ -3B	.756		1.250	.829	5/64	.9723	
16	1	1-5/16-12UNJ -3B	1.006		1.500	1.099	3/32	1.2223	+ .0090 - .0000
20	1-1/4	1-5/8 -12UNJ -3B	1.260	1/4	2.000	+ .016	1.353	1.5348	
24	1-1/2	1-7/8 -12UNJ -3B	1.510		2.250	1.603	7/64	1.7848	
28	1-3/4	2-1/4 -12UNJ -3B	1.762	9/32	2.625	+ .020		1.875	2.1598
32	2	2-1/2 -12UNJ -3B	2.014	5/16	2.875		2.127	2.4098	

DASH NO.	H DIA	J	L	M	N	Q	R RAD	U	V +.000 -.010 DIA
2	5/16	1/4	.282	27/32	.010	.220	1-11/32	.005	.375
3	3/8	17/64	.313	15/16		.251	1-25/32		.437
4	7/16	21/64	.375	1		.300	1- 3/8		.562
5	1/2			1- 1/16		1-43/64	.625		
6	9/16	11/32	.385	1- 3/32		.302	1-47/64	.687	
8	3/4	29/64	.438	1- 9/32		.344	1- 5/8	.875	
10	7/8	33/64	.521	1-31/64		.414	2- 1/16	.010	1.000
12	1-1/16	41/64	.594	1-21/32		.469	1-47/64	1.250	
16	1-5/16	47/64	.625	1-15/16		.500	2-11/16	1.500	
20	1-5/8			2- 3/16		2-13/32	2.000		
24	1-7/8	53/64	.708	2- 5/16	.583	2-33/64	2.250		
28	2-1/4	55/64	.792	2- 1/2	.667	2-21/32	.015	2.625	
32	2-1/2	59/64	.875	2- 3/4	.750	3- 1/32	2.875		

APPROVED 13 DEC 40 REVISED (11) FOR CHANGES SEE PAGES 1 & 2.

P. A. AIR FORCE -82 Other Cust AIR FORCE-99	INTERNATIONAL INTEREST	AIR FORCE-NAVY AERONAUTICAL STANDARD		AN817
PROCUREMENT SPECIFICATION MIL-F-8509		SUPERSEDES:		
NUT, TUBE COUPLING, LONG			SHEET 2 OF 2	