

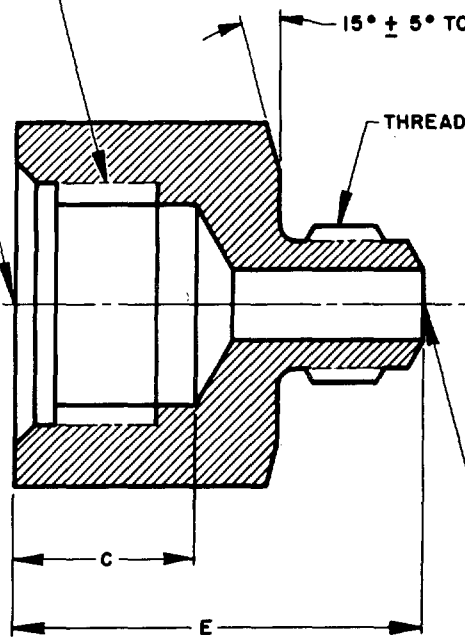
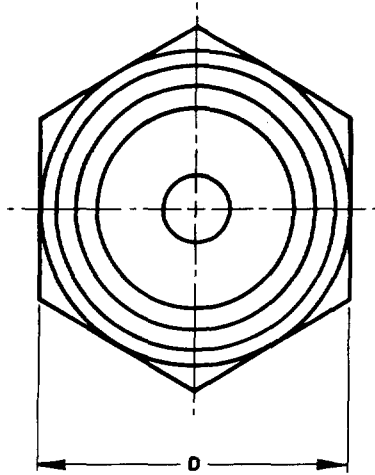
FED. SUP CLASS
 4730

BOSS DIMENSIONS IN ACCORDANCE
 WITH MS33649 FOR INTERNAL
 THREADED END

THREAD S

15° ± 5° TO DIMENSION D

THREAD T



EXTERNALLY THREADED FITTING END IN
 ACCORDANCE WITH MS33656 FOR TUBE SIZE
 SPECIFIED EXCEPT HEX AS NOTED.

(a) THE TWO DASH NUMBERS IN THE PART NUMBER ARE CODED FOR THE TWO EQUIVLENT TUBE SIZES,
 EXPRESSED IN SIXTEENTHS. FOR EXAMPLE: AN894-10-6 REFERS TO A STEEL FITTING WITH AN
 INTERNALLY THREADED END FOR 5/8 TUBE AND AN EXTERNALLY THREADED END FOR 3/8 OD TUBE.

MATERIAL: STEEL - BARS, TITANIUM ALLOY - BARS, SHAPES OR FORGINGS
 ALUMINUM ALLOY - BARS
 CORROSION RESISTANT STEEL - BARS, SHAPES, OR FORGINGS.
 SEE PROCUREMENT SPECIFICATION.

FINISH: SEE PROCUREMENT SPECIFICATION.

NO CODE LETTER IN PART NUMBER FOR STEEL
 ADD D IN PLACE OF FIRST DASH FOR ALUMINUM ALLOY (EXCEPT 7075-T73).
 ADD J IN PLACE OF FIRST DASH FOR CORROSION RESISTANT STEEL, TYPE 304.
 ADD K IN PLACE OF FIRST DASH FOR CORROSION RESISTANT STEEL, TYPE 316.
 ADD S IN PLACE OF FIRST DASH FOR CORROSION RESISTANT STEEL, TYPE 347.
 ADD W IN PLACE OF FIRST DASH FOR 7075-T73.
 ADD T IN PLACE OF FIRST DASH FOR TITANIUM.

- EXAMPLE OF PART NUMBERS:
- AN894-8-6 - BUSHING, 1/2 TUBING FOR INTERNAL THREADS AND 3/8 TUBING FOR EXTERNAL THREADS, STEEL.
 - AN894D8-6 - BUSHING, 1/2 TUBING FOR INTERNAL THREADS AND 3/8 TUBING FOR EXTERNAL THREADS, ALUMINUM ALLOY.(EXCEPT 7075-T73)
 - AN894J8-6 - BUSHING, 1/2 TUBING FOR INTERNAL THREADS AND 3/8 TUBING FOR EXTERNAL THREADS, CORROSION RESISTANT STEEL, TYPE 304.
 - AN894K8-6 - BUSHING, 1/2 TUBING FOR INTERNAL THREADS AND 3/8 TUBING FOR EXTERNAL THREADS, CORROSION RESISTANT STEEL, TYPE 316.
 - AN894S8-6 - BUSHING, 1/2 TUBING FOR INTERNAL THREADS AND 3/8 TUBING FOR EXTERNAL THREADS, CORROSION RESISTANT STEEL, TYPE 347.
 - AN894T8-6 - BUSHING, 1/2 TUBING FOR INTERNAL THREADS AND 3/8 TUBING FOR EXTERNAL THREADS, TITANIUM.
 - AN894W8-6 - BUSHING, 1/2 TUBING FOR INTERNAL THREADS AND 3/8 TUBING FOR EXTERNAL THREADS, 7075-T73.(ALUMINUM ALLOY)

BREAK ALL SHARP EDGES AND REMOVE ALL HANGING BURRS AND SLIVERS WHICH MIGHT BECOME DISLODGED UNDER USAGE.

DIMENSIONS IN INCHES. UNLESS OTHERWISE SPECIFIED, TOLERANCES: FRACTIONS ±1/64.

TITANIUM NOT FOR USE IN OXYGEN SYSTEMS.

9 ENTIRE STANDARD REVISED

P. A. AIR FORCE - 82 Other Cust ARMY - AV NAVY - AS AIR FORCE - 99	INTERNATIONAL INTEREST	AIR FORCE-NAVY AERONAUTICAL STANDARD		AN894
		BUSHING, SCREW THREAD, EXPANDER		
PROCUREMENT SPECIFICATION MIL-F-5509	SUPERSEDES:	SHEET 1 OF 2		

DD FORM 1 MAY 73 672-1 (COORDINATED)

PREVIOUS EDITIONS OF THIS FORM ARE OBSOLETE

PROJECT 4730-0298

REVIEWER ACTIVITIES:
 AIR FORCE - II
 ARMY - MI
 DLA - CS

This military standard is approved for use by all Departments and Agencies of the Department of Defense. Selection for all new engineering and design applications and for repetitive use shall be made from this document.

APPROVED 19 OCT 44 REVISED 6 16 APRIL 82 9 6 Apr 84

FED. SUP CLASS
 4730

USER ACTIVITIES:

REVIEWER ACTIVITIES:
 AIR FORCE - II
 ARMY - MI
 DLA - CS

This military standard is approved for use by all Departments and Agencies of the Department of Defense. Selection for all new engineering and design applications and for repetitive use shall be made from this document

DASH NO.	INTERNALLY THREADED END			EXTERNALLY THREADED END		OVERALL	
	TUBING OD	THREAD S REF	C	TUBING OD	THREAD T (REF)	D	E
AN894-3-2	3/16	.3750-24 UNJF-3B	33/64	1/8	.3125-24UNJF-3A	.625	1- 3/16
AN894-4-2	1/4	.4375-20 UNJF-3B	39/64		.3125-24UNJF-3A	.688	1-19/64
AN894-4-3				3/16	.375-24UNJF-3A	.750	1- 1/2
AN894-5-4	5/16	.5000-20 UNJF-3B	47/64	1/4	.4375-20UNJF-3A		.813
AN894-6-4	3/8	.5625-18 UNJF-3B	39/64	5/16	.500-20UNJF-3A	1.000	1- 3/8
AN894-6-5				1/4	.4375-20UNJF-3A		1-25/64
AN894-8-4	1/2	.7500-16 UNJF-3B	47/64	1/4	.4375-20UNJF-3A	1.000	1-37/64
AN894-8-5				5/16	.500-20UNJF-3A		1-35/64
AN894-8-6				3/8	.5625-18UNJF-3A		1-35/64
AN894-10-4	5/8	.8750-14 UNJF-3B	51/64	1/4	.4375-20UNJF-3A	1.125	1-43/64
AN894-10-5				5/16	.500-20UNJF-3A		1-21/32
AN894-10-6				3/8	.5625-18UNJF-3A		1-41/64
AN894-10-8				1/2	.750-16UNJF-3A		1- 3/4
AN894-12-6	3/4	1.0625-12 UNJ -3B	59/64	3/8	.5625-18UNJF-3A	1.375	1-13/16
AN894-12-8				1/2	.750-16UNJF-3A		1-59/64
AN894-12-10				5/8	.875-14UNJF-3A		2- 1/64
AN894-16-6	1	1.3125-12 UNJ -3B	61/64	3/8	.5625-18UNJF-3A	1.625	1-59/64
AN894-16-8				1/2	.750-16UNJF-3A		2- 1/32
AN894-16-10				5/8	.875-14UNJF-3A		2- 7/64
AN894-16-12				3/4	1.0625-12UNJ -3A		2-13/64
AN894-20-8	1-1/4	1.6250-12 UNJ -3B	1	1/2	.750-16UNJF-3A	1.875	2-11/64
AN894-20-10				5/8	.875-14UNJF-3A		2- 1/4
AN894-20-12				3/4	1.0625-12 UNJ-3A		2-21/64
AN894-20-16				1	1.3125-12 UNJ-3A		2-19/64

+ .003
 - .004

± .016

APPROVED 19 OCT 44 REVISED 9 FOR CHANGES SEE PAGES 1 & 2.

ENTIRE STANDARD REVISED

P. A. AIR FORCE - 82 Other Cust ARMY - AV NAVY - AS AIR FORCE - 89	INTERNATIONAL INTEREST	AIR FORCE-NAVY AERONAUTICAL STANDARD	AN894
		BUSHING, SCREW THREAD, EXPANDER	
PROCUREMENT SPECIFICATION MIL-F-5509	SUPERSEDES:	SHEET 2 OF 2	