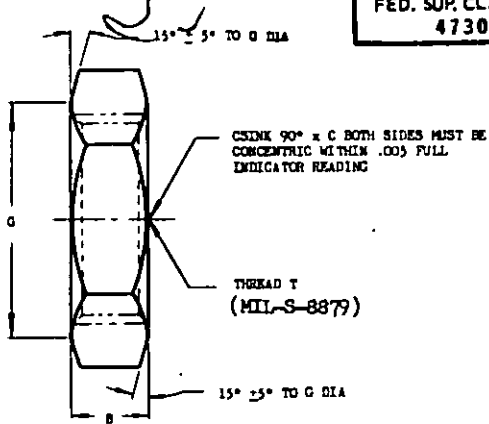
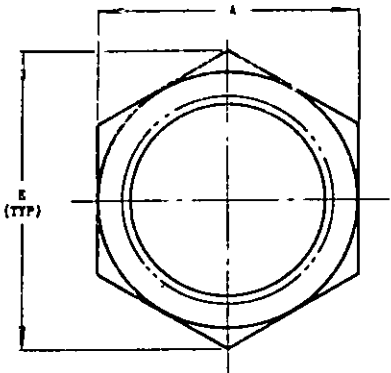


FED. SUP. CLASS
 4730



User activities: Army - ME,AV,AR
 Navy - AS
 Air Force - 99,11
 DLA-CS

Review activities: Army - ME,AV,AR
 Navy - AS
 Air Force - 99,11
 DLA-CS

This military standard is approved for use by all Departments and Agencies of the Department of Defense. Selection for all new engineering and design applications and for repetitive use shall be made from this document when applicable.

(a) SQUARENESS BETWEEN THREAD AND FACE OF HEX SHALL NOT EXCEED H WHEN MEASURED AT DIAMETER G, BOTH SIDES.

MATERIAL: STEEL, ALUMINUM ALLOY; BARS OR SHAPES.
 CORROSION RESISTANT STEEL (CRES), TITANIUM ALLOY; BARS, SHAPES, OR FORGINGS.
 SEE PROCUREMENT SPECIFICATION.

FINISH: SEE PROCUREMENT SPECIFICATION.

MARKING: SHALL BE IMPRESSION STAMPED WITH AN AND MANUFACTURER'S NAME OR TRADEMARK ON HEX SIDE ONLY.

NO CODE LETTER IN PART NUMBER FOR STEEL.

- ① ADD D AFTER DASH NUMBER FOR ALUMINUM ALLOY (EXCEPT 7075-T73).
- ~~ADD C AFTER DASH NUMBER FOR CRES, TYPE 302, 303, 304, 316, AND 321.~~
- ADD J AFTER DASH NUMBER FOR CRES, TYPE 304.
- ADD K AFTER DASH NUMBER FOR CRES, TYPE 316.
- ADD S AFTER DASH NUMBER FOR CRES, TYPE 304L AND 347. PARTS ARE NOT TO BE MANUFACTURED FROM TYPE 304L STEEL AFTER 10 FEBRUARY 1967.
- ADD T AFTER DASH NUMBER FOR TITANIUM ALLOY.
- ① ADD W AFTER DASH NUMBER FOR 7075-T73 ALUMINUM ALLOY.
- TITANIUM IS NOT RECOMMENDED FOR USE IN OXYGEN SYSTEMS.
- ① ITEMS CODED C ON PREVIOUS ISSUES OF THIS STANDARD ARE NO LONGER TO BE FURNISHED. PROCURING ACTIVITIES MUST SPECIFY APPLICABLE CRES MATERIAL CODE AS PART OF THE STANDARD PART NUMBER.

EXAMPLE OF PART NUMBERS:

- AN924-L - NUT, 1/4 TUBING, STEEL.
- ① AN924-LD - NUT, 1/4 TUBING, ALUMINUM ALLOY (EXCEPT 7075-T73).
- ~~AN924-LC - NUT, 1/4 TUBING, CRES, TYPE 302, 303, 304, 316, OR 321.~~
- AN924-LJ - NUT, 1/4 TUBING, CRES, TYPE 304.
- AN924-LK - NUT, 1/4 TUBING, CRES, TYPE 316.
- AN924-LS - NUT, 1/4 TUBING, CRES, TYPE 347.
- AN924-LT - NUT, 1/4 TUBING, TITANIUM ALLOY.
- ① AN924-LW - NUT, 1/4 TUBING, 7075-T73 ALUMINUM ALLOY.

SEE AND10064, PAGES 1, 2, AND 4 FOR INSTALLATION DETAILS.

AN924 AND MS24400 STEEL AND ALUMINUM ALLOY NUTS OF LIKE SIZE ARE UNIVERSALLY INTERCHANGEABLE.

AN924 AND MS24400 CRES NUTS OF LIKE SIZE ARE PHYSICALLY INTERCHANGEABLE; HOWEVER, MS24400 NUTS CODED C CANNOT ALWAYS REPLACE AN924 NUTS CODED J OR K AND MS24400 NUTS CODED S CANNOT ALWAYS REPLACE AN924 NUTS CODED S.

MAGNETIC INSPECTION NOT NECESSARY.

BREAK ALL SHARP EDGES AND REMOVE ALL HANGING BURRS AND SLIVERS.

DIMENSIONS IN INCHES. UNLESS OTHERWISE SPECIFIED, TOLERANCES: FRACTIONS +1/64, ANGLES +1/2°.

FOR DESIGN FEATURE PURPOSES, THIS STANDARD TAKES PRECEDENCE OVER PROCUREMENT DOCUMENTS REFERENCED HEREIN.

REFERENCED DOCUMENTS SHALL BE OF THE ISSUE IN EFFECT ON DATE OF INVITATIONS FOR BID.

① denotes changes

P.A. Air Force-99 Other Cust	International Interest	AIR FORCE - NAVY AERONAUTICAL STANDARD	AN924
		NUT, TUBE, BULKHEAD AND UNIVERSAL FITTING	
Procurement Specification MIL-P-5509		SUPERSEDES: MS24400	PAGE 1 OF 2

APPROVED 1 MAY 41 REVISED 16 JUN 78 21 MAR 79

FED. SUP. CLASS
 4730

User activities: Army - MB, AV
 Navy - AS
 Air Force - 99, 11
 DLA-CS

Review activities: Army - MB, AV
 Navy - AS
 Air Force - 99, 11
 DLA-CS

This military standard is approved for use by all Departments and Agencies of the Department of Defense. Selection for all new engineering and design applications and for repetitive use shall be made from this document when applicable.

DASH NO.	TUBING OD	THREAD T (REF)	A	B	C DIA	E MIN	(a) G ±.010 DIA	(a) H MAX	WEIGHT MAX (LBS.)			
									STEEL	AL ALLOY	CRS	TI ALLOY
2	1/8	5/16-24UNJF-3B	.563	7/32	5/16	.629	.500	.005				
3	3/16	3/8-24UNJF-3B	.625		3/8	.699	.562					
4	1/4	7/16-20UNJF-3B	.688	1/4	7/16	.771	.625	.005				
5	5/16	1/2-20UNJF-3B	.750		1/2	.842	.687					
6	3/8	9/16-18UNJF-3B	.813	17/64	9/16	.914	.750	.005				
8	1/2	3/4-16UNJF-3B	1.000		3/4	1.127	.937					
10	5/8	7/8-14UNJF-3B	1.125	23/64	7/8	1.270	1.062	.008				
12	3/4	1-1/16-12UNJ-3B	1.375		1-1/16	1.555	1.274					
16	1	1-5/16-12UNJ-3B	1.625	13/32	1-5/16	1.827	1.524	.008				
20	1-1/4	1-5/8-12UNJ-3B	1.938		1-5/8	2.184	1.838					
24	1-1/2	1-7/8-12UNJ-3B	2.188	13/32	1-7/8	2.465	2.093	.008				
28	1-3/4	2-1/4-12UNJ-3B	2.563		2-1/4	2.892	2.468					
32	2	2-1/2-12UNJ-3B	2.813	13/32	2-1/2	3.178	2.718	.008				
40	2-1/2	3-12UNJ-3B	3.312		3	3.747	3.218					
48	3	3-1/2-12UNJ-3B	3.812	3-1/2	4.318	3.718						

REVISED 1 MAY 41 For changes see page 1. 21 MAR 79

P.A. Air Force-99 Other Cust	International Interest	AIR FORCE - NAVY AERONAUTICAL STANDARD	AN924
		NUT, TUBE, BULKHEAD AND UNIVERSAL FITTING	
Procurement Specification MIL-P-5509	SUPERSEDES: MS24400	PAGE 2 OF 2	