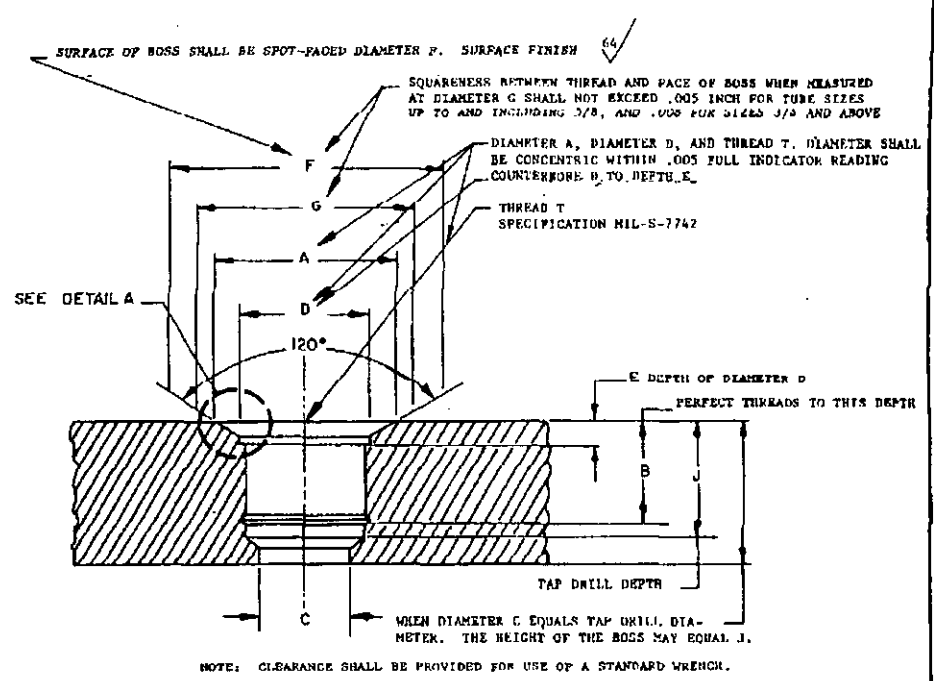
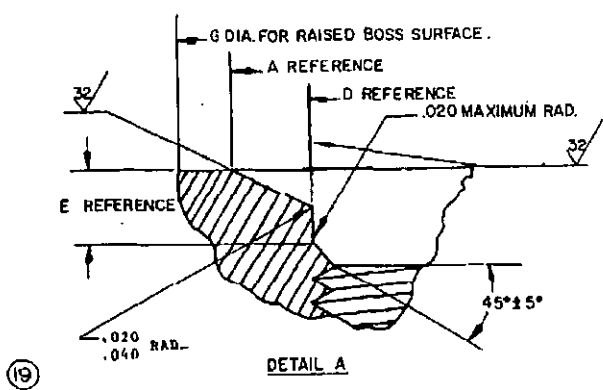


FED. SUP CLASS
 4730

APPROVED 3 FEB 41 REVISED 11 10 NOV 54 12 8 JUN 55 13 21 DEC 55 14 18 JUL 56 15 14 DEC 66 16 21 AUG 61 17 2 SEP 82 18 9 NOV 85 19 24 JUL 84

USER ACTIVITIES
 DL A- CS
 REVIEWER ACTIVITIES
 This military standard is approved for use by all Departments and Agencies of the Department of Defense. Selection for all new engineering and design applications and for repetitive use shall be made from this document.



REINSTATED 2 SEP 82

INACTIVE FOR NEW DESIGN AFTER 14 DECEMBER 1966, USE M6234/0.

P. A. AF 82 Other Cust AF 89 AF 11	INTERNATIONAL INTEREST	TITLE BOSSES, STANDARD DIMENSIONS FOR GASKET SEAL STRAIGHT THREAD	MILITARY STANDARD
PROCUREMENT SPECIFICATION NONE	SUPERSEDES:		AND10050
			SHEET 1 OF 2

FED. SUP CLASS
4730

EQUIVALENT TUBE SIZE DASH NO.	TUBING OD	THREAD T (REF)	A +.015 -.000 DIA	B MIN	C MIN DIA	D +.005 -.000 DIA	E +.015 -.000	F MIN DIA	G MIN DIA	J MIN
2	1/8	.3125-24 UNF-3B	.439	.375	.062	.326	.060	.672	.582	.500
3	3/16	.3750-24 UNF-3B	.500	.406	.125	.390		.750	.625	
4	1/4	.4375-20 UNF-3B	.562	.438	.172	.454	.075	.828	.688	
5	5/16	.500-20 UNF-3B	.625		.234	.517		.906	.750	.594
6	3/8	.5625-18 UNF-3B	.688	.469	.297	.540	.083	.969	.812	
8	1/2	.750-16 UNF-3B	.875	.562	.391	.769	.094	1.188	1.032	.718
10	5/8	.8750-14 UNF-3B	1.000	.625	.484	.896		1.344	1.157	.781
12	3/4	1.0625-12 UN-3B	1.234		.609	1.086		1.625	1.406	.906
16	1	1.3125-12 UN-3B	1.487	.688	.844	1.346		1.910	1.656	.938
20	1-1/4	1.6250-12 UN-3B	1.800		1.078	1.648	.125	2.270	1.969	.984
24	1-1/2	1.8750-12 UN-3B	2.050	.750	1.312	1.898		2.560	2.219	1.125
28	1-3/4	2.250-12 UN-3B	2.425	.812	1.547	2.273		3.010	2.594	1.250
32	2	2.500-12 UN-3B	2.675	.938	1.781	2.524		3.480	2.844	1.375

FINISH: FOR SURFACE ROUGHNESS, SEE STANDARD MIL-STD-10.

19 THE COUNTERSINK TO DIAMETER A AND COUNTERBORE TO DIAMETER D SHALL BE FREE FROM LONGITUDINAL AND SPIRAL TOOL MARKS. BREAK ALL SHARP EDGES AND REMOVE ALL HANGING BURRS AND SLIVERS WHICH MIGHT BECOME DISLOCCED UNDER USAGE. DIMENSIONS IN INCHES. UNLESS OTHERWISE SPECIFIED, TOLERANCES: ANGLES $\pm 1/2^\circ$.

19 CERTAIN PROVISIONS OF THIS STANDARD ARE SUBJECT OF INTERNATIONAL STANDARDIZATION AGREEMENT STANAG 3323. WHEN REVISION OR CANCELLATION OF THIS STANDARD IS PROPOSED, THE DEPARTMENTAL CUSTODIANS WILL INFORM THEIR RESPECTIVE DEPARTMENTAL STANDARDIZATION OFFICES SO THAT APPROPRIATE ACTION MAY BE TAKEN RESPECTING THE INTERNATIONAL AGREEMENT CONCERNED.

USER ACTIVITIES

REVIEWER ACTIVITIES: DLA CS

This military standard is approved for use by all Departments and Agencies of the Department of Defense. Selection for all new engineering and design applications and for replacement use shall be made from this document.

APPROVED 3 FEB 41 REVISED 19 FOR CHANGES SEE PAGE 1 B 2

P. A. AF 82 Other Cost AF 99 AF 11	INTERNATIONAL INTEREST	TITLE BOSSES, STANDARD DIMENSIONS FOR GASKET SEAL STRAIGHT THREAD.	MILITARY STANDARD
PROCUREMENT SPECIFICATION NONE		SUPERSEDES:	AND10050
			SHEET 2 OF 2