

**NOTICE OF  
CHANGE**

**INCH-POUND**

MIL-STD-348A  
NOTICE 2  
21 July 1992

MILITARY STANDARD

RADIO FREQUENCY CONNECTOR INTERFACES FOR

MIL-C-3643, MIL-C-3650, MIL-C-3655, MIL-C-25516,  
MIL-C-26637, MIL-C-39012, MIL-C-49142, MIL-A-55339,  
AND MIL-C-83517

TO ALL HOLDERS OF MIL-STD-348A:

1. THE FOLLOWING PAGES OF MIL-STD-348A ARE NEW OR HAVE BEEN REVISED AND SUPERSEDE THE PAGES LISTED:

NEW PAGE	DATE	SUPERSEDED PAGE	DATE
iii		iii	12 January 1990
iv		iv	12 January 1990
v/vi		v	12 January 1990
SECTION 300		SECTION 300	12 January 1990
310.1		310.1	12 January 1990
310.2		310.2	12 January 1990
310.3/310.4		310.3	12 January 1990
323.1		NEW	---
323.2		NEW	---
325.1		NEW	---
325.2		NEW	---

2. RETAIN THIS NOTICE AND INSERT BEFORE TABLE OF CONTENTS.

3. Holders of MIL-STD-348A will verify that page changes and additions indicated above have been entered. This notice page will be retained as a check sheet. This issuance, together with appended pages, is a separate publication. Each notice is to be retained by stocking points until the military standard is completely revised or canceled.

CONCLUDING MATERIAL

Custodians:  
Army - CR  
Navy - EC  
Air Force - 85

Review activities:  
Army - AT, AV, MI  
Navy - AS, SH  
Air Force - 10, 11, 17, 99  
DLA - ES

User activities:  
Navy - CG, MC

Preparing activity:  
Army - CR

Agent:  
DLA - ES

(Project 5935-3815)

AMSC N/A

DISTRIBUTION STATEMENT A. Approved for public release; distribution is unlimited.

FSC 5935

**MIL-STD-348A  
 NOTICE 2**

**CONTENTS**

		<u>Page</u>
1.	SCOPE	1
1.1	Purpose	1
1.2	Scope	1
2.	REFERENCED DOCUMENTS	2
2.1	Government documents	2
2.1.1	Specification, and standard	2
2.2	Order of precedence	3
3.	DEFINITIONS	3
3.1	Terms	3
4.	GENERAL REQUIREMENTS	4
5.	DETAILED REQUIREMENTS	5
5.1	Gauge tests	5
5.2	Marking	5
5.3	Drawing notes	5
5.4	Change effectivity	5
5.5	Disposition of stock	5
6.	NOTES	6
6.1	Intended use	6
6.2	Patent notice	6
6.3	Subject term (key word) listing	6
6.4	Changes from previous issue	6

**FIGURES**

		101.1
Figure	101-1. Interface, series TWTNC, coupling nut	101.2
	101-2. Interface, series TWTNC, no coupling nut	102.1
	102-1. Interface, series TWBNC, with coupling nut	102.2
	102-2. Interface, series TWBNC, coupling nut	102.3
	102-3. Interface, series TWBNC, without coupling nut	103.1
	103-1. Interface, series TWSNC, with coupling nut	103.2
	103-2. Interface, series TWSNC, without coupling nut	104.1
	104-1. Interface, series TWSMB, with coupling mechanism	104.2
	104-2. Interface, series TWSMB, without coupling mechanism	201.1
	201-1. Interface, series TRB, pin contact	201.2
	201-2. Interface, series TRB, socket contact	202.1
	202-1. Interface, series TRT, pin contact	202.2
	202-2. Interface, series TRT, socket contact	301.1
	301-1. Interface, series BNC, pin contact	301.2
	301-2. Interface, series BNC, socket contact	302.1
	302-1. Interface, series C, pin contact	302.2
	302-2. Interface, series C, socket contact	303.1
	303-1. Interface, series MHV, pin contact	303.2
	303-2. Interface, series MHV, socket contact	304.1
	304-1. Interface, series N, pin contact	304.2
	304-2. Interface, series N, socket contact	305.1
	305-1. Interface, series QL, pin contact	305.2
	305-2. Interface, series QL, socket contact	

**MIL-STD-348A  
 NOTICE 2**

**CONTENTS**

	<u>Page</u>
306-1. Interface, series QM, pin contact . . . . .	306.1
306-2. Interface, series QM, socket contact . . . . .	306.2
307-1. Interface, series QNC, pin contact . . . . .	307.1
307-2. Interface, series QNC, socket contact . . . . .	307.2
308-1. Interface, series QSC, pin contact . . . . .	308.1
308-2. Interface, series QSC, socket contact . . . . .	308.2
309-1. Interface, series SC, pin contact . . . . .	309.1
309-2. Interface, series SC, socket contact . . . . .	309.2
310-1. Interface, series SMA, pin contact . . . . .	310.1
310-2. Interface, series SMA, socket contact . . . . .	310.2
310-3. Interface, series SMA, no contact . . . . .	310.3
311-1. Interface, series SMB, pin contact . . . . .	311.1
311-2. Interface, series SMB, socket contact . . . . .	311.2
312-1. Interface, series SMC, pin contact . . . . .	312.1
312-2. Interface, series SMC, socket contact . . . . .	312.2
313-1. Interface, series TNC, pin contact . . . . .	313.1
313-2. Interface, series TNC, socket contact . . . . .	313.2
313-3. Interface, series TNCA, pin contact, air interface . . . . .	313.3
313-4. Interface, series TNCA, socket contact, air interface . . . . .	313.4
314-1. Interface, series SHV, pin contact . . . . .	314.1
314-2. Interface, series SHV, socket contact . . . . .	314.2
315-1. Interface, series LC, pin contact . . . . .	315.1
315-2. Interface, series LC, socket contact . . . . .	315.2
315-3. Interface, series LC, pin contact . . . . .	315.3
315-4. Interface, series LC, socket contact . . . . .	315.4
315-5. Interface, series LC, pin contact . . . . .	315.5
315-6. Interface, series LC, socket contact . . . . .	315.6
316-1. Interface, coaxial environment resistant . . . . .	316.1
316-2. Interface, coaxial environment resistant . . . . .	316.2
316-3. Interface, coaxial environment resistant . . . . .	316.3
316-4. Interface, coaxial environment resistant . . . . .	316.4
317-1. Interface, series HN, pin contact . . . . .	317.1
317-2. Interface, series HN, socket contact . . . . .	317.2
318-1. Interface, series LT, no contact . . . . .	318.1
318-2. Interface, series LT, socket contact . . . . .	318.2
319-1. Interface, series SSMA, pin contact . . . . .	319.1
319-2. Interface, series SSMA, socket contact . . . . .	319.2
320-1. Interface, series SSMB, pin contact . . . . .	320.1
320-2. Interface, series SSMB, socket contact . . . . .	320.2
321-1. Interface, series BMA, pin contact . . . . .	321.1
321-2. Interface, series BMA, socket contact . . . . .	321.2
321-3. Interface dimension table, series BMA . . . . .	321.3
322-1. Interface, series BMB, pin contact . . . . .	322.1
322-2. Interface, series BMB, socket contact . . . . .	322.2
323-1. Interface, series SHK, pin contact . . . . .	323.1
323-2. Interface, series SHK, socket contact . . . . .	323.2
325-1. Interface, series BMZ, pin contact . . . . .	325.1
325-2. Interface, series BMZ, socket contact . . . . .	325.2
401-1. Interface, test connector, series C, pin contact . . . . .	401.1
401-2. Interface, test connector, series C, socket contact . . . . .	401.2
401-3. Interface, mated test connector, series C . . . . .	401.3
402-1. Interface, test connector, series N, pin contact . . . . .	402.1
402-2. Interface, test connector, series N, socket contact . . . . .	402.2
402-3. Interface, mated test connector, series N . . . . .	402.3

Supersedes page iv of  
 Notice 1.

MIL-STD-348A  
NOTICE 2

CONTENTS

	<u>Page</u>
403-1. Interface, test connector, series SC, pin contact . . . . .	403.1
403-2. Interface, test connector, series SC, socket contact . . . . .	403.2
403-3. Interface, mated test connector, series SC . . . . .	403.3
404-1. Interface, test connector, series BNC, pin contact . . . . .	404.1
404-2. Interface, test connector, series BNC, socket contact . . . . .	404.2
404-3. Interface, mated test connector, series BNC . . . . .	404.3
405-1. Interface, test connector, series SMA, pin contact . . . . .	405.1
405-2. Interface, test connector, series SMA, socket contact . . . . .	405.2
405-3. Interface, mated test connector, series SMA . . . . .	405.3
406-1. Interface, test connector, series TNC, pin contact . . . . .	406.1
406-2. Interface, test connector, series TNC, socket contact . . . . .	406.2
406-3. Interface, mated test connector, series TNC . . . . .	406.3
407-1. Interface, test connector, series SMB, pin contact . . . . .	407.1
407-2. Interface, test connector, series SMB, socket contact . . . . .	407.2
407-3. Interface, mated test connector, series SMB . . . . .	407.3
408-1. Interface, test connector, series SMC, pin contact . . . . .	408.1
408-2. Interface, test connector, series SMC, socket contact . . . . .	408.2
408-3. Interface, mated test connector, series SMC . . . . .	408.3
409-1. Interface, test connector, series QNC, pin contact . . . . .	409.1
409-2. Interface, test connector, series QNC, socket contact . . . . .	409.2
409-3. Gap of mated standard test connector, series QNC . . . . .	409.3
410-1. Interface, test connector, series QSC, pin contact . . . . .	410.1
410-2. Interface, test connector, series QSC, socket contact . . . . .	410.2
410-3. Gap of mated standard test connector, series QSC . . . . .	410.3

Supersedes page v of  
Notice 1.

**MIL-STD-348A  
NOTICE 2**

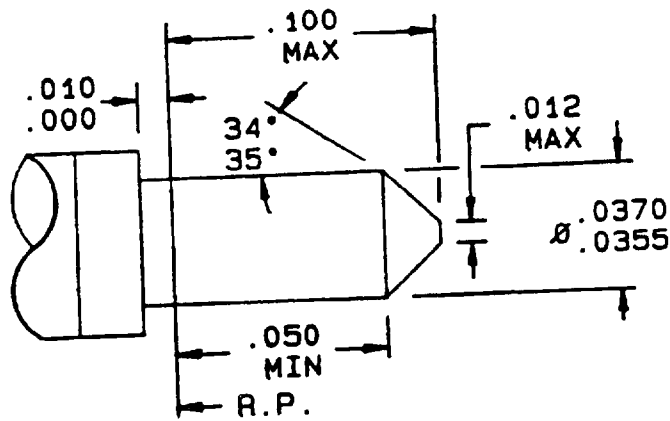
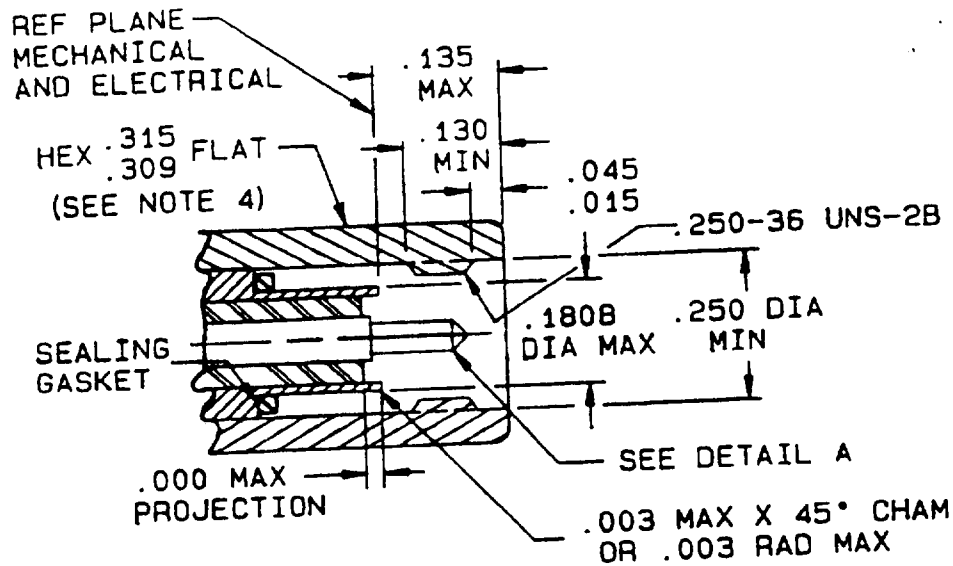
**SECTION 300**

Interface Dimensions for MIL-C-3643, MIL-C-3650, MIL-C-26637,  
MIL-C-39012, MIL-A-55339, and MIL-C-83517

Section 301	Series BNC
Section 302	Series C
Section 303	Series MHV
Section 304	Series N
Section 305	Series QL
Section 306	Series QM
Section 307	Series QMC
Section 308	Series QSC
Section 309	Series SC
Section 310	Series SMA
Section 311	Series SMB
Section 312	Series SMC
Section 313	Series TNC and TNCA
Section 314	Series SHV
Section 315	Series LC
Section 316	Environment resistant
Section 317	Series MN
Section 318	Series LT
Section 319	Series SSMA
Section 320	Series SSMB
Section 321	Series BMA
Section 322	Series BMB
Section 323	Series SMK
Section 324	Reserved for 2.4 mm
Section 325	Series BMZ

Supersedes section 300 of  
Notice 1.

MIL-STD-348A  
 NOTICE 2



DETAIL A

Inches	mm
.000	0.00
.003	0.08
.010	0.25
.012	0.30
.015	0.38
.0355	0.900
.0370	0.940
.045	1.14
.050	1.27
.100	2.54
.130	3.30
.135	3.43
.1808	4.590
.250	6.35
.309	7.85
.315	8.00

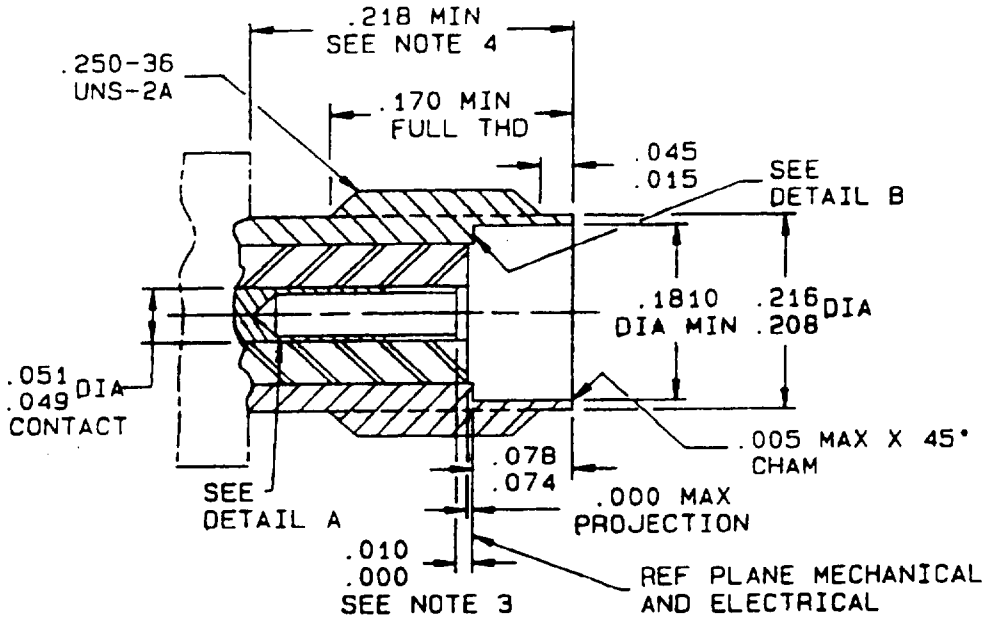
NOTES:

1. Dimensions are in inches.
2. Metric equivalents are given for general information only.
3. Connector interfaces (after connector mating) shall be kept free from dust and moisture.
4. May extend throughout the full length of the coupling nut.

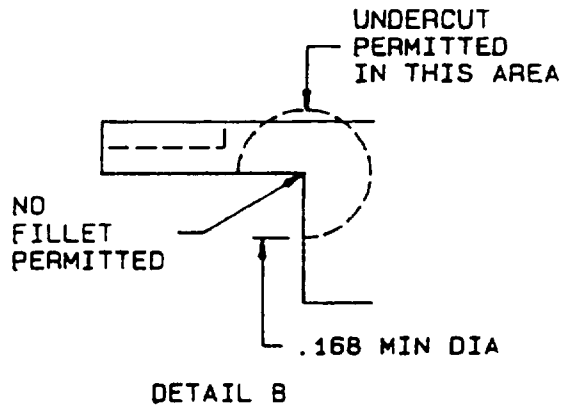
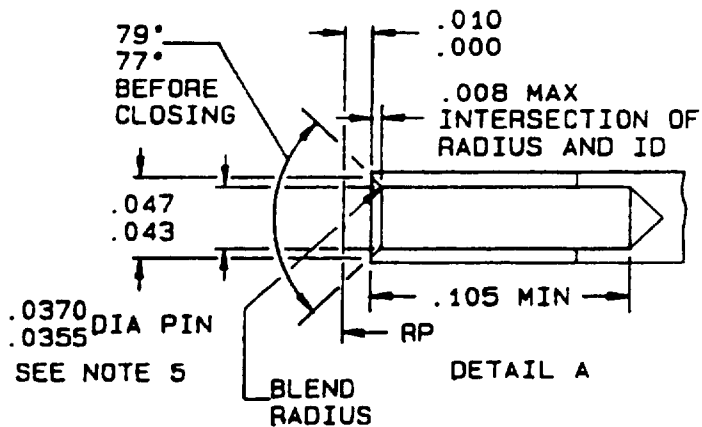
FIGURE 310-1. Interface, series SMA, pin contact.

Supersedes page 310.1 of  
 Notice 1.

MIL-STD-348A  
 NOTICE 2



Inches	mm
.005	0.13
.008	0.20
.010	0.25
.015	0.38
.0355	0.900
.0370	0.940
.043	1.08
.045	1.14
.047	1.19
.049	1.24
.051	1.29
.074	1.88
.078	1.98
.105	2.67
.168	4.27
.170	4.32
.1810	4.597
.208	5.28
.216	5.49
.218	5.54
.250	6.35

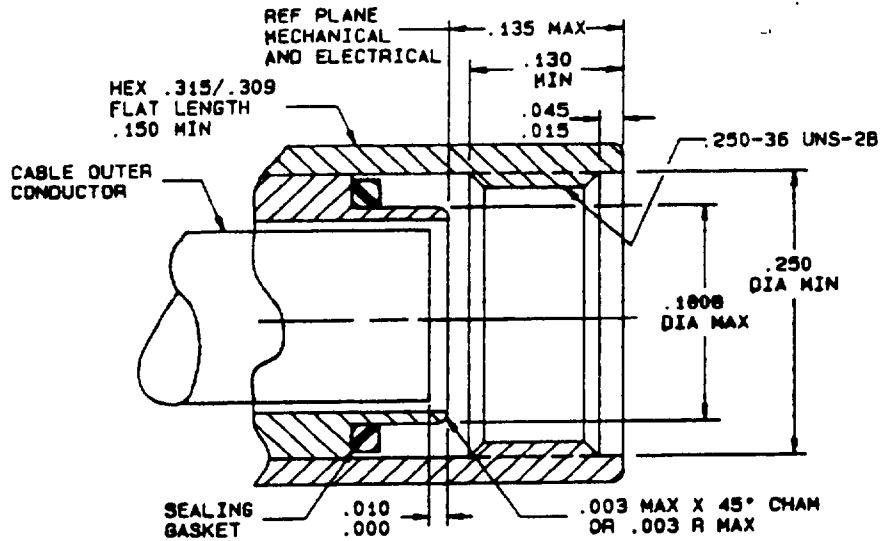


- NOTES:
1. Dimensions are in inches.
  2. Metric equivalents are given for general information only.
  3. Previously qualified parts utilizing a .030 inch maximum contact recession are not acceptable for Government procurement. Caution should be exercised to determine whether a .030 inch recession design is being used during maintenance and part replacement.
  4. Clearance for mating connector coupling nut.
  5. Dimension to meet VSWR, mating characteristics, and connector durability when mated with a .0355 - .0370 diameter pin

FIGURE 310-2. Interface, series SMA, socket contact.

Supersedes page 310.2 of  
 Notice 1.

MIL-STD-348A  
 NOTICE 2



Inches	mm
.000	0.00
.003	0.08
.010	0.25
.015	0.38
.045	1.14
.130	3.30
.135	3.43
.150	3.81
.1808	4.59
.250	6.35
.309	7.85
.315	8.00

NOTES:

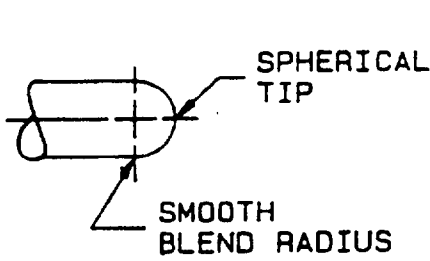
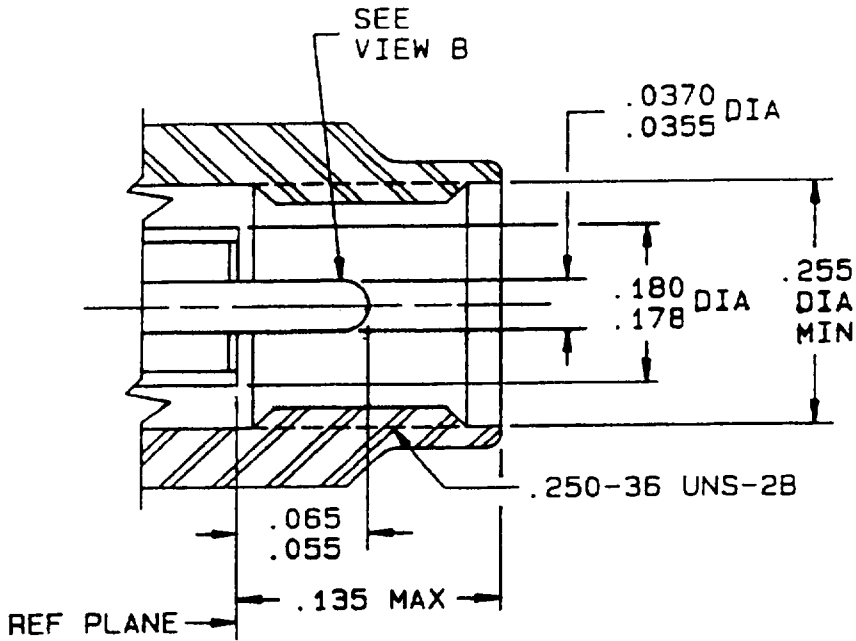
1. Dimensions are in inches.
2. Metric equivalents are given for general information only.
3. Reference MIL-C-39012/92 for cable stripping dimensions.

FIGURE 301-3. Interface, series SMA, no contact.

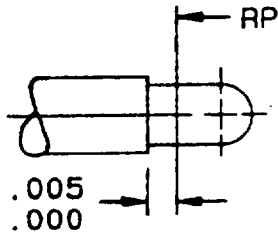
Supersedes page 310.3 of  
 Notice 1.



MIL-STD-348A  
 NOTICE 2



VIEW B  
 MALE PIN



PIN DETAIL OPTIONAL  
 CONFIGURATION

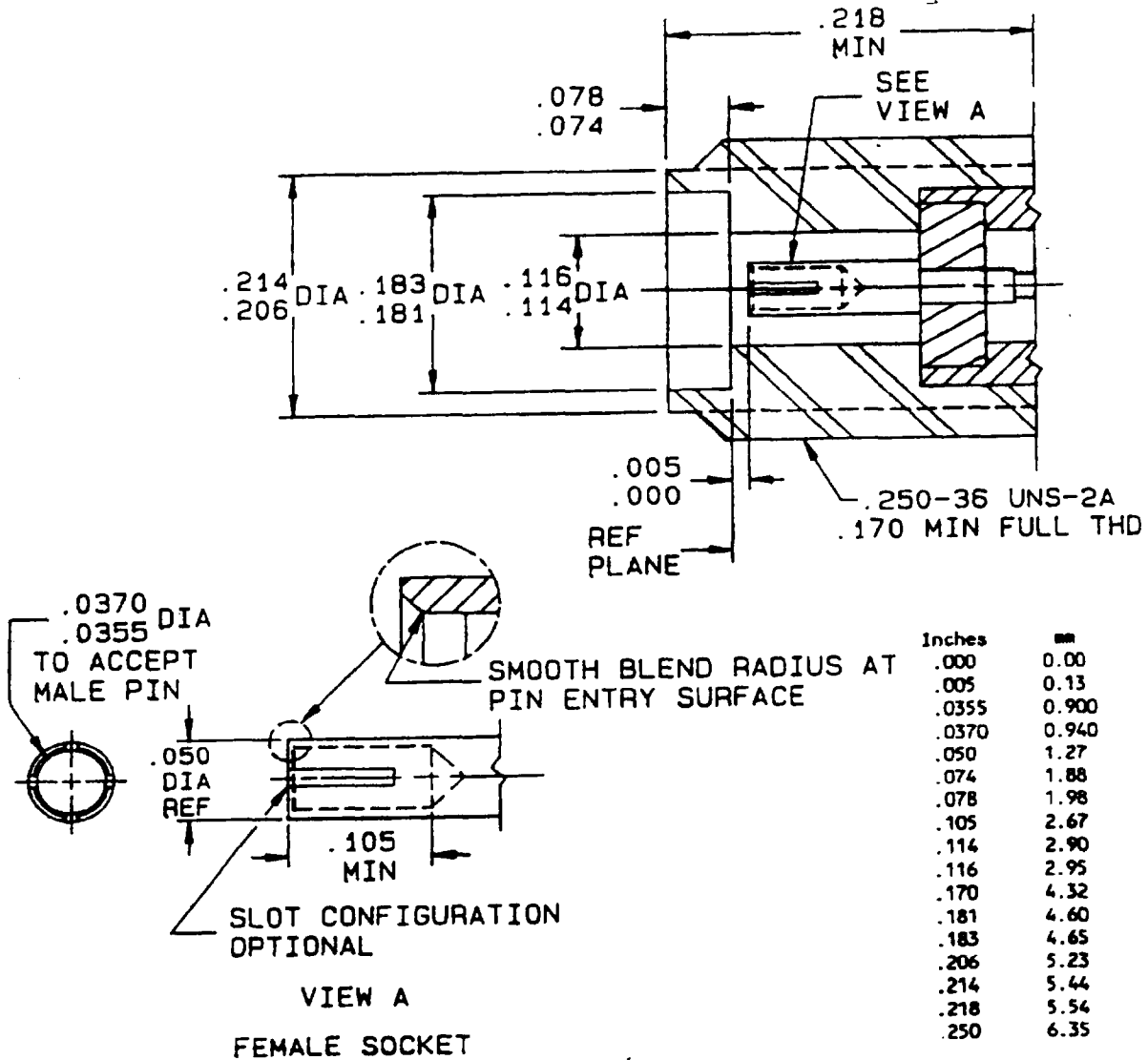
Inches	mm
.000	0.00
.005	0.13
.0355	0.900
.0370	0.940
.055	1.40
.065	1.65
.135	3.43
.178	4.52
.180	4.59
.250	6.35
.255	6.48

NOTES:

1. Dimensions are in inches.
2. Metric equivalents are given for general information only.
3. The location of the contact support bead shall not extend beyond the reference plane.

FIGURE 323-1. Interface, series SMK, pin contact.

MIL-STD-348A  
 NOTICE 2

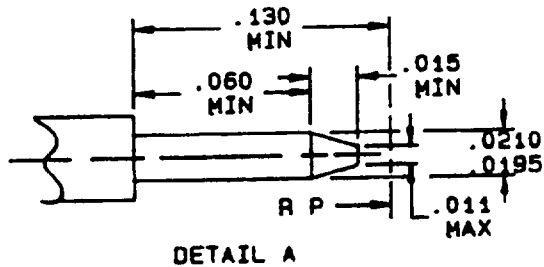
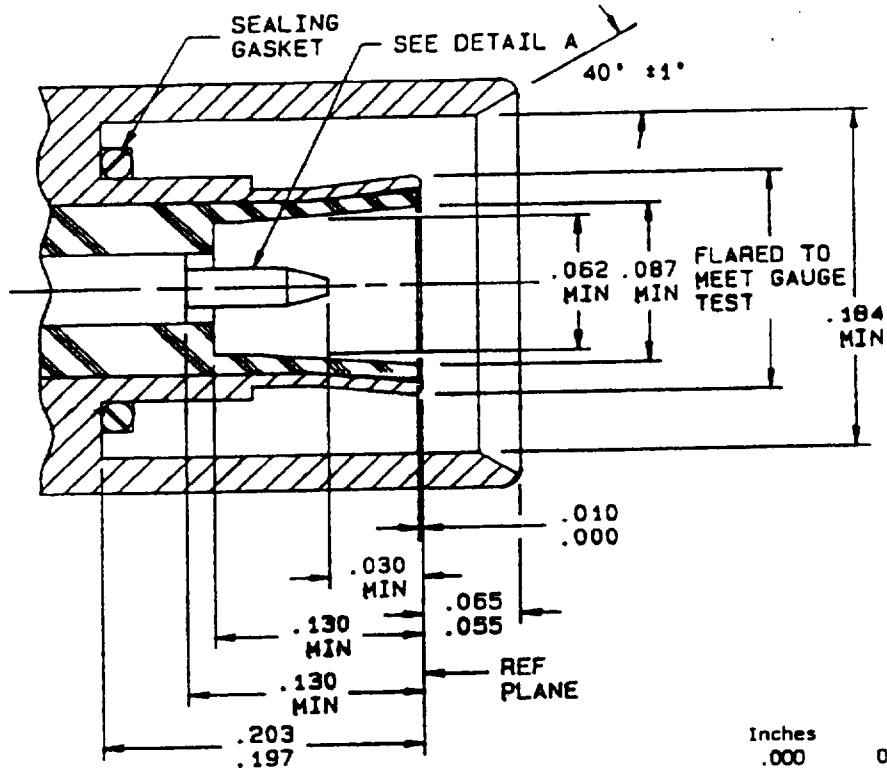


NOTES:

1. Dimensions are in inches.
2. Metric equivalents are given for general information only.
3. Unless otherwise specified, tolerances are  $\pm .005$ .

FIGURE 323-2. Interface, series SMK, socket contact.

MIL-STD-348A  
 NOTICE 2



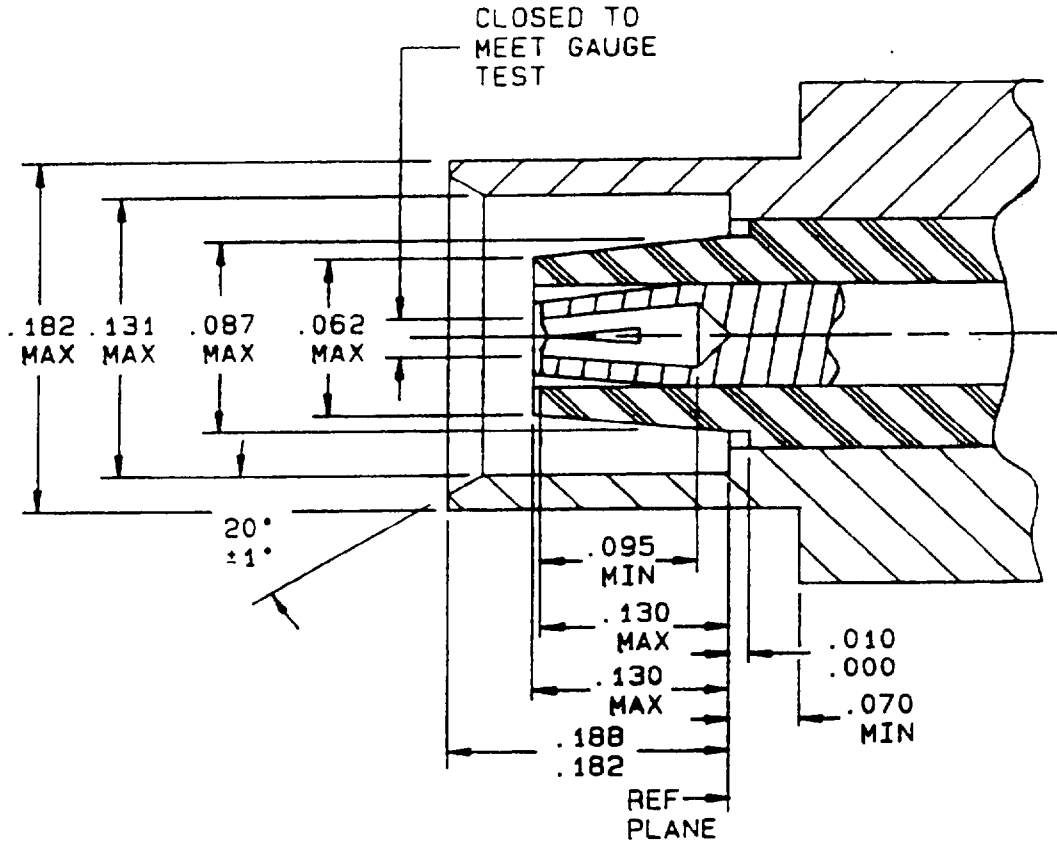
Inches	mm
.000	0.00
.010	0.25
.011	0.30
.015	0.38
.0195	0.50
.0210	0.53
.030	0.76
.055	1.40
.060	1.52
.062	1.57
.065	1.65
.087	2.21
.130	3.30
.184	4.67
.197	5.00
.203	5.16

NOTES:

1. Dimensions are in inches.
2. Metric equivalents are given for general information only.

FIGURE 325-1. Interface, series BMZ, pin contact.

MIL-STD-348A  
 NOTICE 2



Inches	mm
.000	0.00
.010	0.25
.062	1.57
.070	1.78
.087	2.21
.095	2.31
.130	3.30
.131	3.33
.182	4.62
.188	4.78

NOTES:

1. Dimensions are in inches.
2. Metric equivalents are given for general information only.

FIGURE 325-2. Interface, series BMZ, socket contact.