

NOTICE OF  
CHANGE

INCH-POUND

MIL-STD-348A  
NOTICE 4  
16 July 1999

DEPARTMENT OF DEFENSE  
INTERFACE STANDARD  
RADIO FREQUENCY CONNECTOR INTERFACES FOR

MIL-C-3643, MIL-C-3650, MIL-C-3655, MIL-C-25516,  
MIL-C-26637, MIL-PRF-39012, MIL-PRF-49142,  
MIL-PRF-55339, MIL-C-83517

TO ALL HOLDERS OF MIL-STD-348A:

1. THE FOLLOWING PAGES OF MIL-STD-348A ARE NEW OR HAVE BEEN REVISED AND SUPERSEDE THE PAGES LISTED:

NEW PAGE	DATE	SUPERSEDED PAGE	DATE
326.1 326.2	30 June 1998	326.1 326.2	30 June 1998 Reprinted without change

2. RETAIN THIS NOTICE AND INSERT BEFORE TABLE OF CONTENTS.
3. Holders of MIL-STD-348A will verify that page changes and additions indicated above have been entered. This notice page will be retained as check sheet. This issuance, together with appended pages, is a separate publication. Each notice is to be retained by stocking points until the standard is completely revised or canceled.

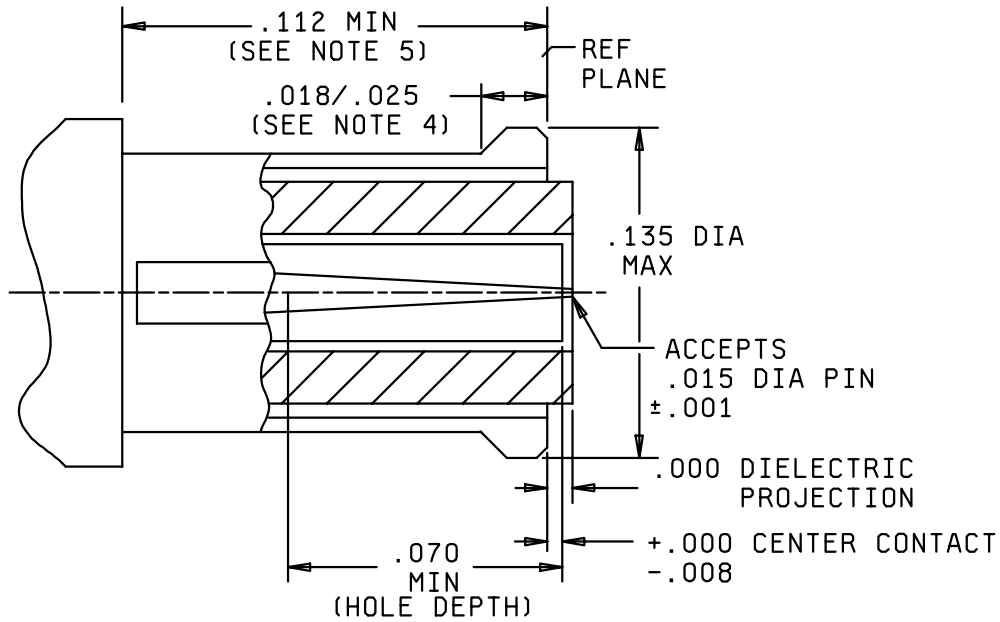
CONCLUDING MATERIAL

Custodians:  
Army - CR  
Navy - EC  
Air Force - 11  
DLA - CC

Preparing activity:  
DLA - CC  
(Project 5935-4221)

Review activities:  
Army - AT, AV, MI  
Navy - AS, CG, MC, SH  
Air Force - 10, 17, 99

MIL-STD-348A  
 NOTICE 4



Inches	mm
.001	0.03
.008	0.20
.015	0.38
.018	0.46
.025	0.64
.070	1.78
.112	2.84
.135	3.43

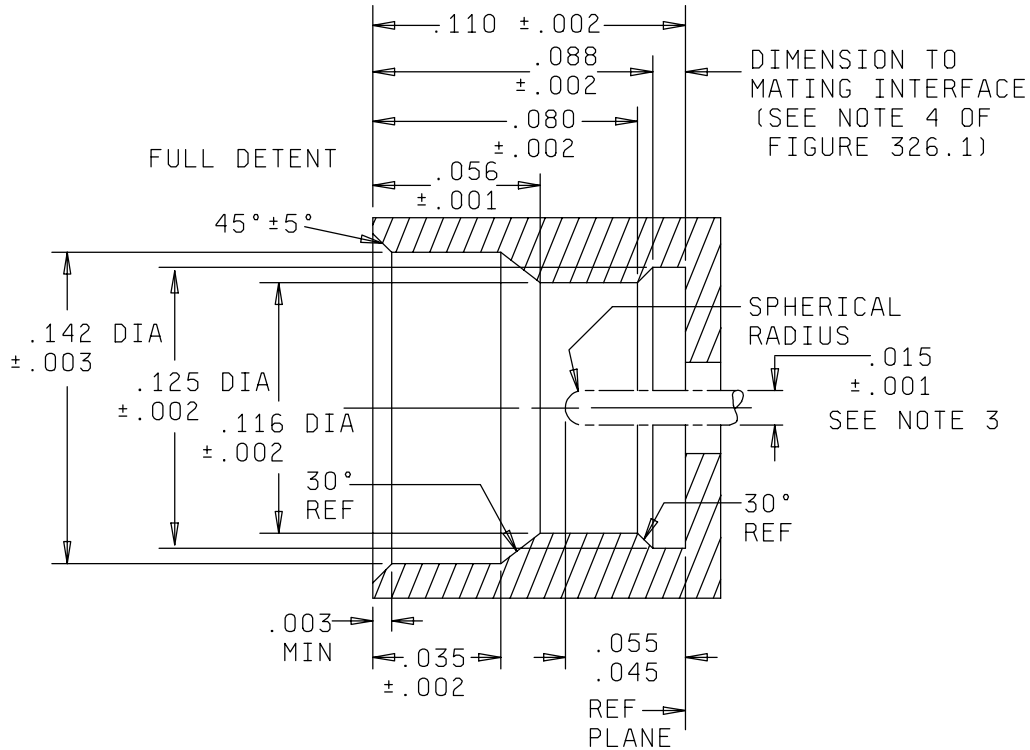
NOTES:

1. Dimensions are in inches.
2. Metric equivalents are given for information only.
3. Interface shall meet the force to engage and disengage requirements.
4. Dimension for mating interface. Dimensions shall be .025/.035 for cabled connectors.
5. Dimension shall be .132 min. for cable connectors.

FIGURE 326-1. Interface, series SMP, socket contact.

SUPERSEDES PAGE 326.1 OF NOTICE 3

MIL-STD-348A  
 NOTICE 3



Inches	mm
.001	0.03
.002	0.05
.003	0.08
.005	0.13
.015	0.38
.035	0.89
.045	1.14
.055	1.40
.056	1.42
.080	2.03
.088	2.24
.110	2.79
.116	2.95
.125	3.18
.142	3.61

NOTES:

1. Dimensions are in inches.
2. Metric equivalents are given for information only.
3. Pin not supplied with shroud.

FIGURE 326-2. Interface, series SMP, pin contact, full detent.

REPRINTED WITHOUT CHANGE