

NOTICE OF
CHANGE

INCH-POUND

MIL-STD-348A
NOTICE 6
14 March 2003

DEPARTMENT OF DEFENSE
INTERFACE STANDARD
RADIO FREQUENCY CONNECTOR INTERFACES FOR
MIL-C-3643, MIL-C-3650, MIL-C-3655, MIL-C-25516,
MIL-C-26637, MIL-PRF-39012, MIL-PRF-49142,
MIL-PRF-55339, MIL-C-83517

TO ALL HOLDERS OF MIL-STD-348A:

1. THE FOLLOWING PAGES OF MIL-STD-348A HAVE BEEN REVISED AND SUPERSEDE THE PAGES LISTED:

NEW PAGE	DATE	SUPERSEDED PAGE	DATE
326.1	14 March 2003	326.1	18 November 2002
326.1a	14 March 2003	326.1a	18 November 2002
326.2	14 march 2003	326.2	18 November 2002

2. RETAIN THIS NOTICE AND INSERT BEFORE TABLE OF CONTENTS.

3. Holders of MIL-STD-348A will verify that page changes and additions indicated above have been entered. This notice page will be retained as a check sheet. This issuance, together with appended pages, is a separate publication. Each notice is to be retained by stocking points until the standard is completely revised or canceled.

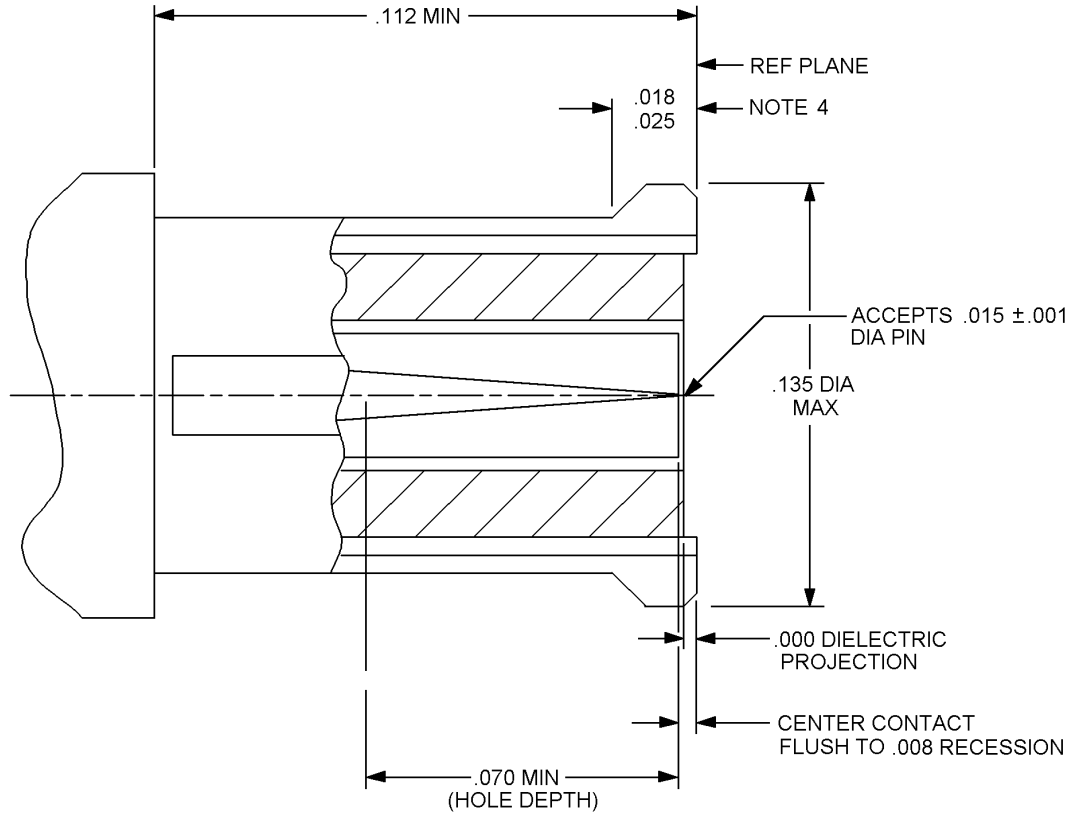
CONCLUDING MATERIAL

Custodians:
Army - CR
Navy - EC
Air Force - 11
DLA - CC

Preparing activity:
DLA - CC
(Project 5935-4583-000)

Review activities:
Army - AT, AV, MI
Navy - AS, CG, MC, SH
Air Force - 99

MIL-STD-348A
 NOTICE 6



Inches	mm	Inches	mm
.001	0.03	.025	0.64
.008	0.20	.070	1.78
.015	0.38	.112	2.84
.018	0.46	.135	3.43

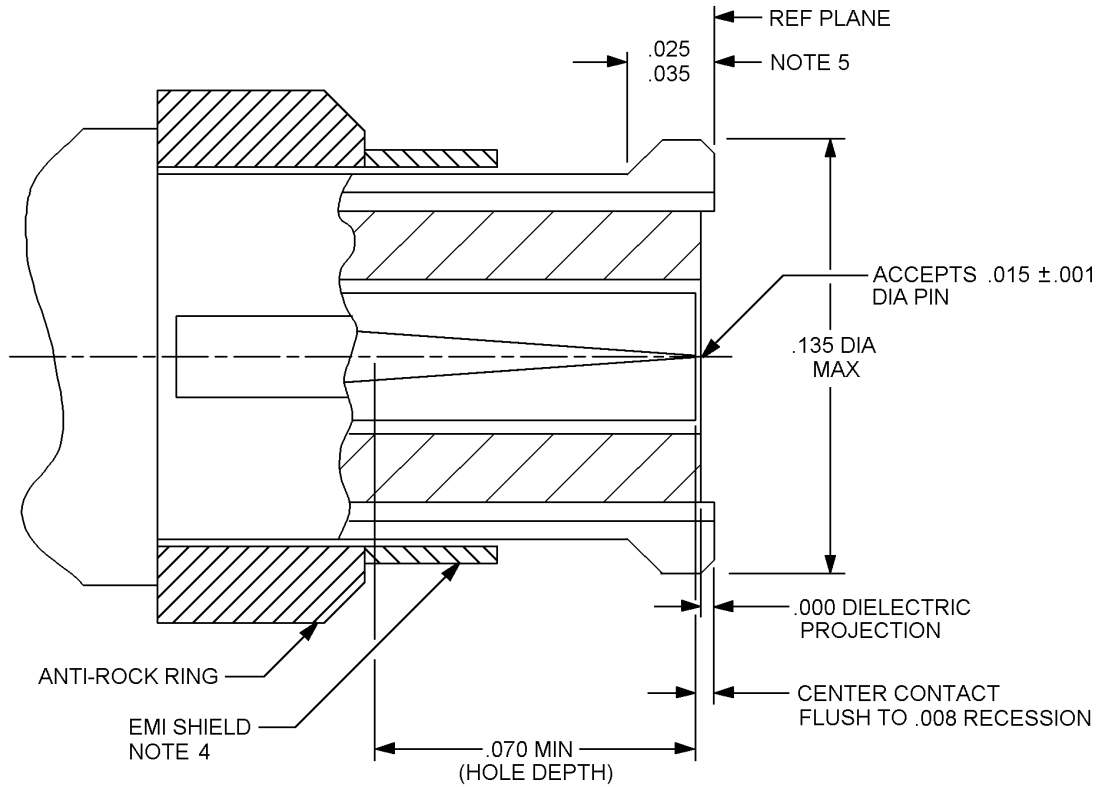
NOTES:

1. Dimensions are in inches.
2. Metric equivalents are given for general information only.
3. Interface shall meet the force to engage and disengage requirements in accordance with DSCC drawing 94007.
4. Form and dimension of outer conductor to meet electrical and mechanical requirements.

FIGURE 326-1. Interface, series SMP, socket contact (uncabled connector).

SUPERSEDES PAGE 326.1 OF NOTICE 5 TO MIL-STD-348A

MIL-STD-348A
 NOTICE 6



Inches	mm	Inches	mm
.001	0.03	.035	0.89
.008	0.20	.070	1.78
.015	0.38	.135	3.43
.025	0.64		

NOTES:

1. Dimensions are in inches.
2. Metric equivalents are given for general information only.
3. Interface shall meet the force to engage and disengage requirements in accordance with DSCC drawing 94008.
4. EMI shield configuration optional: Shall not prevent proper engagement of detent required. To meet mechanical and electrical requirements of DSCC drawing 94008.
5. Form and dimension of outer conductor to meet electrical and mechanical requirements.

FIGURE 326-1a. Interface, series SMP, socket contact (cabled connector).

SUPERSEDES PAGE 326.1A OF NOTICE 5 TO MIL-STD-348A

