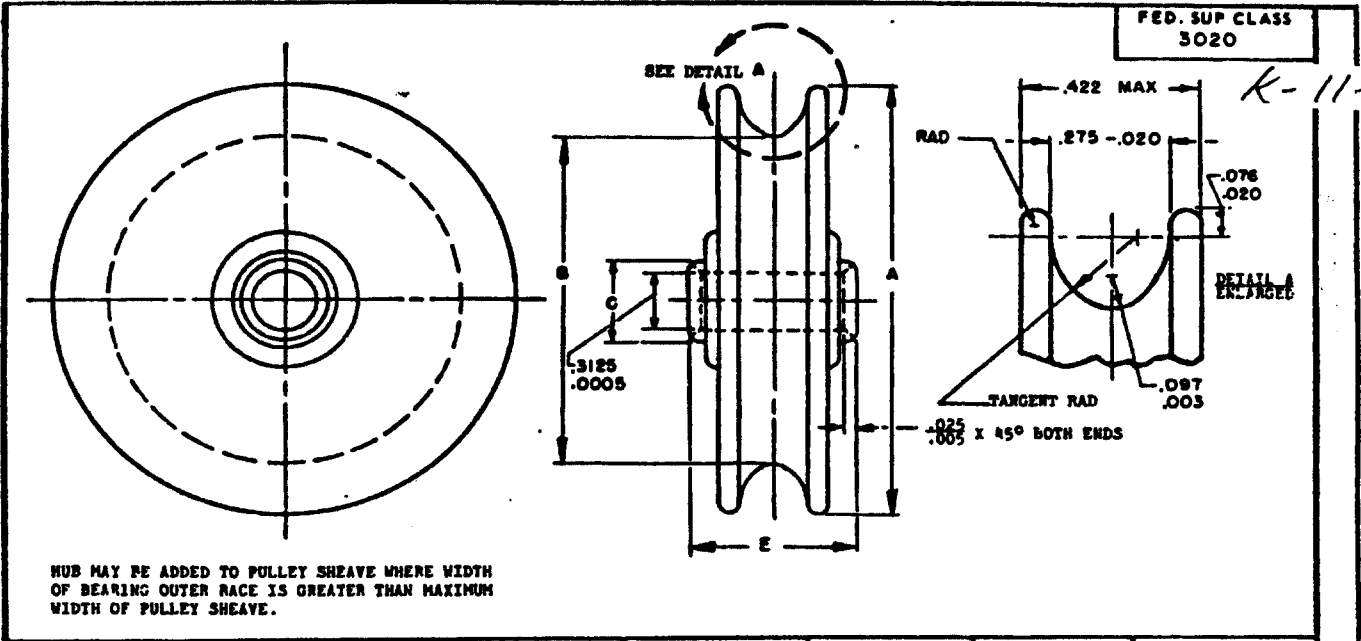


MS20220 REV C 30 ■ 9999912 0004589 2 ■

User Activities:
 Air Force - 99

Review Activities:
 Army - AV
 Navy - AS

This military standard is approved for use by all Departments / Agencies of the Department of Defense. Selection for all new engineering and applications and for repetitive use shall be made from this document, when applicable.



NONMETALLIC SHEAVE NO.	METALLIC SHEAVE NO.	CABLE SIZE INCHES	A	B	C	E	PULLEY ASSY WEIGHT MAX LBS
			OUTSIDE DIA ±.005	GROOVE DIA ±.005	HUB DIA (REF)	I.R. WIDTH -.005	
			INCHES	INCHES	INCHES	INCHES	
MS20220 -1	A1	1/8	1.750	1.250	.465		.070
-2	A2	5/32	3.000	2.500			.175
-3	A3	3/16	4.250	3.750	.474	.625	.250
-4	A4		5.500	5.000			.370

MS20220 DASH NOS.	ALLOWABLE LIMIT LOAD ON PULLEY LBS	PULLEY STRENGTH MAXIMUM LIMIT LOAD ON CABLE INDEPENDENT OF WRAP ANGLE			AFBHA BEARING (REF)
		1/8 CABLE	5/32 CABLE	3/16 CABLE	
-1, A1	500	830 LBS	1040 LBS	1250 LBS	P5K
-2, A2	1680				
-3, A3	2500				
-4, A4					PDSK

MATERIAL: METALLIC SHEAVES: ALUMINUM ALLOY, QQ-A-225/6, T351 OR AMS 4037, T351.
 NONMETALLIC SHEAVES: PHENOLIC, SEE PROCUREMENT SPECIFICATION.

FINISH: ALUMINUM - ANODIZE, MIL-A-8625, TYPE II.

EXAMPLES OF PART NUMBERS: MS20220-2 - NONMETALLIC SHEAVE AND FIXED BALL BEARING WITH CONTACT SEAL.
 MS20220A2 - METALLIC SHEAVE AND FIXED BALL BEARING WITH CONTACT SEAL.

DIMENSIONS IN INCHES. UNLESS OTHERWISE SPECIFIED, TOLERANCES: DECIMALS -.010
 END FACES OF ALL BEARING HUBS MUST BE FLAT AND SQUARE WITH BORE WITHIN ±1°.

THIS STANDARD TAKES PRECEDENCE OVER DOCUMENTS REFERENCED HEREIN. REFERENCED DOCUMENTS SHALL BE OF THE ISSUE IN EFFECT ON DATE OF INVITATIONS FOR BID.

(C) ENTIRE STANDARD REVISED.

P.A. AIR FORCE - 11 Other Cust ARMY - AV NAVY - AS	TITLE PULLEY, GROOVE, FLIGHT CONTROL, AIRCRAFT	MILITARY STANDARD MS20220
PROCUREMENT SPECIFICATION MIL-P-7034	SUPERSEDES AN220	SHEET 1 OF 1

DD FORM 1 SEP 51 672-1

PREVIOUS EDITIONS OF THIS FORM ARE OBSOLETE.

Project No. 3020-0104

APPROVED 25 Feb 60 REVISED (A) 31 Mar 65 (B) 21 Jun 76 (C) 31 July 1982