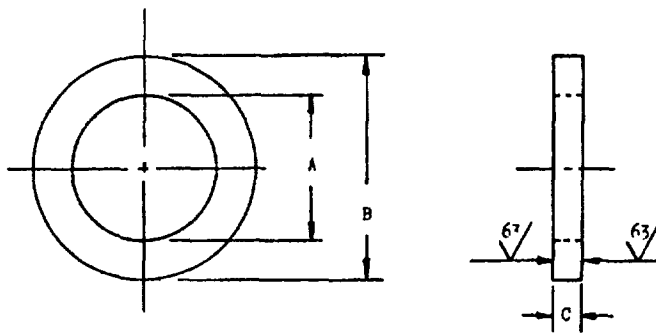


FED SUP CLASS  
 10



PART NUMBER	NOMINAL SIZE	A + .010 - .005	B ± .010	C ± .005	APPROX WEIGHT LBS/100
MS9320-04	.099	.119	.290	.041	.04
MS9320-05	.112	.135	.312	.041	.05
MS9320-06	.125	.150	.312	.041	.07
MS9320-07	.138	.159	.375	.043	.11
MS9320-08	.164	.184	.375	.050	.15
MS9320-09	.190	.213	.438	.042	.20
MS9320-10	.250	.276	.500	.062	.24
MS9320-11	.312	.338	.625	.062	.40
MS9320-12	.375	.401	.750	.078	.70
MS9320-13	.438	.463	.875	.094	1.20
MS9320-14	.500	.526	1.000	.109	1.40
MS9320-15	.562	.588	1.125	.125	2.60
MS9320-16	.625	.651	1.250	.141	6.60
MS9320-17	.750	.776	1.500	.172	6.30
MS9320-18	.875	.901	1.750	.203	10.20
MS9320-19	1.000	1.026	2.000	.234	15.40

1. MATERIAL SPEC: AMS 6350
2. FLAT WITHIN .003 AND PARALLEL WITHIN .002 FIR.
3. CHAMFERED EDGES.
4. AND TEMPER WASHERS TO ROCKWELL C35-40.
5. KPL-CADMIUM PLATE AMS 2416.
6. AS 291.
7. CONCENTRIC WITHIN .010 FIR.
8. MANUFACTURER IDENTIFICATION PER AS 478-5/.
9. PART NUMBERS.

REFERENCED DOCUMENTS SHALL BE OF THE ISSUE IN EFFECT ON DATE OF INVITATIONS FOR BID.

P.A. ISAF 11	TITLE	<b>MILITARY STANDARD</b>
Other Cust Navy - MO (A)	WASHER, FLAT - AMS 6350	<b>MS 9320</b>
PROCUREMENT SPECIFICATION	SUPERSEDES: AN 22577 (1) AN 22600 (1)	SHEET 1 OF 1

Reviewers: ISAF - 11, Navy - MO, Army - MO, AFU  
 This military standard is approved by the Department of Defense and is mandatory on all activities. Selection for all new engineering and design applications and for repetitive use shall be made from this document.

APPROVED - Feb 5  
 REVISED (A) 5 Apr 64